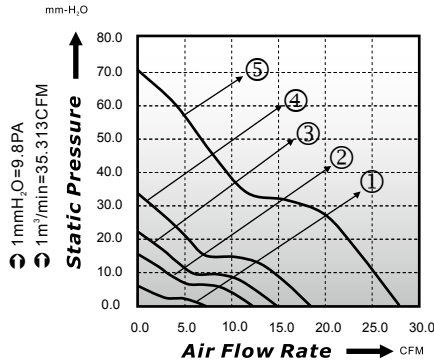


40x40x28mm

Model C

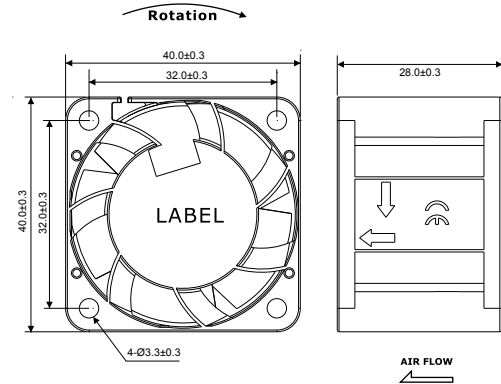


P-Q Curve (At Rated Voltage)



Dimensions Drawing

Unit: (mm)



| Model No | Bearing (*) | Rated Voltage (VDC) | Rated Current (A) | Power Consumption (Watts) | Speed (rpm) | Air Flow (CFM) | Static Pressure (mmH ₂ O) | Noise (dBA) | Curve |
|---------------|-------------|---------------------|-------------------|---------------------------|-------------|----------------|--------------------------------------|-------------|-------|
| ED04028-12LB | ● | 12 | 0.10 | 1.20 | 6000 | 7.21 | 5.99 | 28.0 | 1 |
| ED04028-12MB | ● | 12 | 0.30 | 3.60 | 10000 | 12.23 | 15.49 | 33.5 | 2 |
| ED04028-12HB | ● | 12 | 0.60 | 7.20 | 12000 | 14.82 | 22.19 | 48.3 | 3 |
| ED04028-12HHB | ● | 12 | 0.65 | 7.80 | 15000 | 18.42 | 33.64 | 53.7 | 4 |
| ED04028-12VHB | ● | 12 | 1.60 | 19.20 | 23000 | 27.86 | 70.63 | 63.0 | 5 |
| ED04028-24LB | ● | 24 | 0.05 | 1.20 | 6000 | 7.21 | 5.99 | 28.0 | 1 |
| ED04028-24MB | ● | 24 | 0.20 | 4.80 | 10000 | 12.23 | 15.49 | 33.5 | 2 |
| ED04028-24HB | ● | 24 | 0.30 | 7.20 | 15000 | 18.42 | 33.64 | 53.7 | 4 |
| ED04028-24HHB | ● | 24 | 0.80 | 19.20 | 23000 | 27.86 | 70.63 | 63.0 | 5 |

* Bearing Type: ○ Sleeve ● Two Ball ○ Hydro-Dynamic